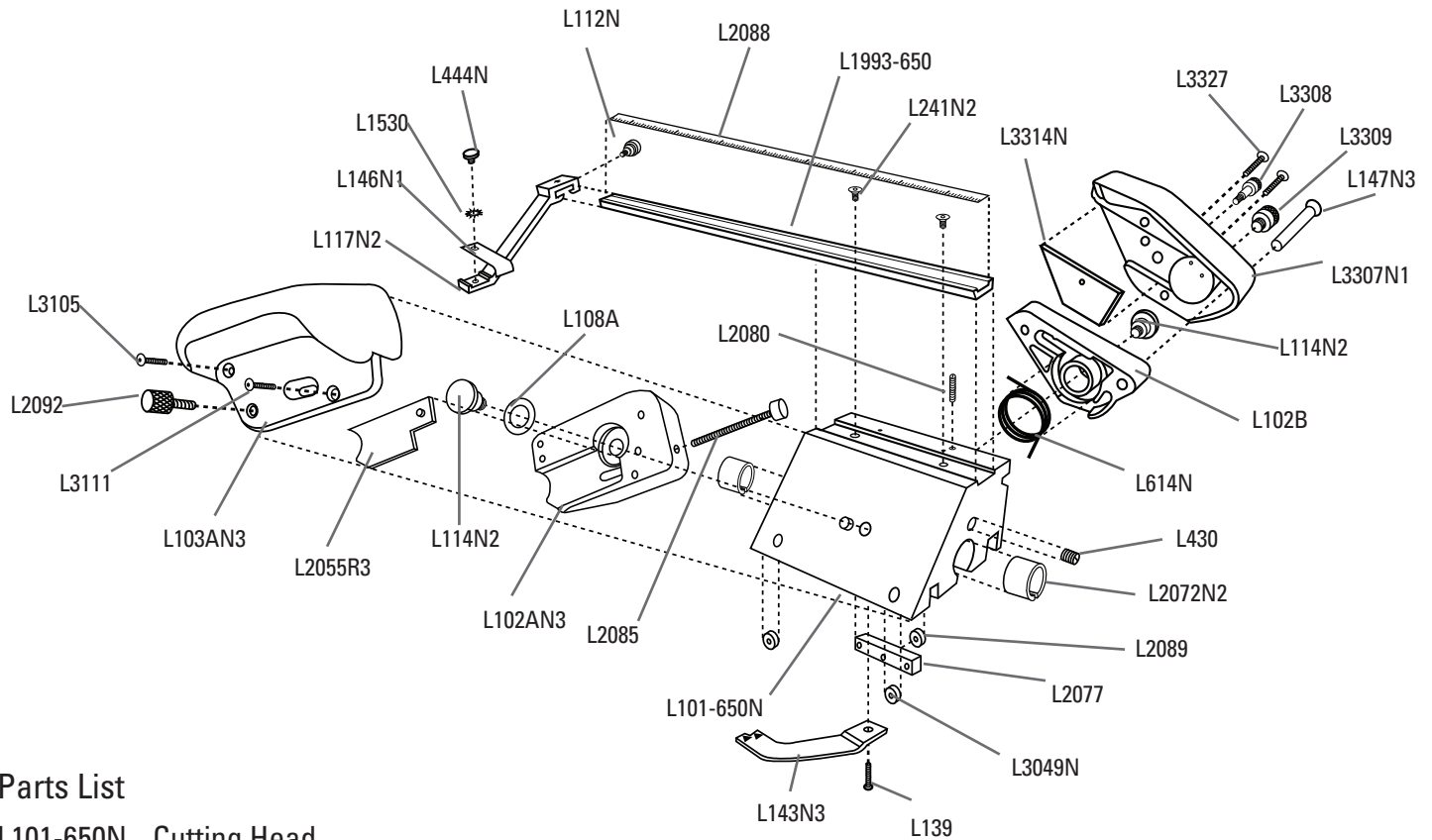


PARTS DIAGRAM



Parts List

L101-650N	Cutting Head
L102B	St. Blade Holder
L102AN3	Bevel Blade Holder
L103AN3	Bevel Cover
L108A	Shim
L112N	Stop Screw
L114N2	Shoulder Bolt x 2
L117N2	Adjustment Stop
L139	Indicator Screw
L143N3	Indicator Plate
L146N1	Stop Arm
L147N3	Plunger Pin
L241N2	M.S. Bar Screw x 2
L430	Overcut Adj. Screw
L444N	Knob Screw
L614N	St. Cut Return Spring
L1530	Washer
L1993-650	M.S. Bar
L2055R2	Bevel Blade Cover

L2072N2	Cutting Head Bushing x 2
L2077	Lever Block
L2080	Lever Adj. Screw
L2085	Bevel Depth Screw
L2088	M.S. Scale
L2089	Adjustable Bearing
L2092	Bevel Blade Screw
L3049N	Fixed Bearing x 2
L3105	Bevel Cover Screw - Lng
L3111	Bevel Cover Screw - Short
L3307N1	St. Blade Cover
L3308	St. Blade Screw
L3309	St. Blade Adj. Knob
L3314N	St. Blade Plate
L3327	St. Cover Screw x 2